

Product Range

Parklands*

DESIGNER BIKE RACKS

* Architectural, economical, easy to install

Parklands is Securabike's designer bicycle rack range. Stylish designs for showpiece locations outside beautiful entrances and buildings.



BR505

About the parklands range

Each Parklands design is a functional bicycle rack that will fit into a variety of architectural scapes to be found in urban centres or signature parks.

A variety of finishes are available depending on materials and where colors are possible, we encourage bold choices and multiple colors to suit your aesthetic.

As the Parklands range is unique, these racks are largely made to order for individual projects. Speak to our offices for lead time information.

Applications

- Residential apartments
- Recreational centers
- Workplaces
- Schools, colleges and universities
- Retail shopping centers
- Train and bus interchanges

P
R
A
C
K



BR605



DT053



BR905



Product
Range



BR705



BR131

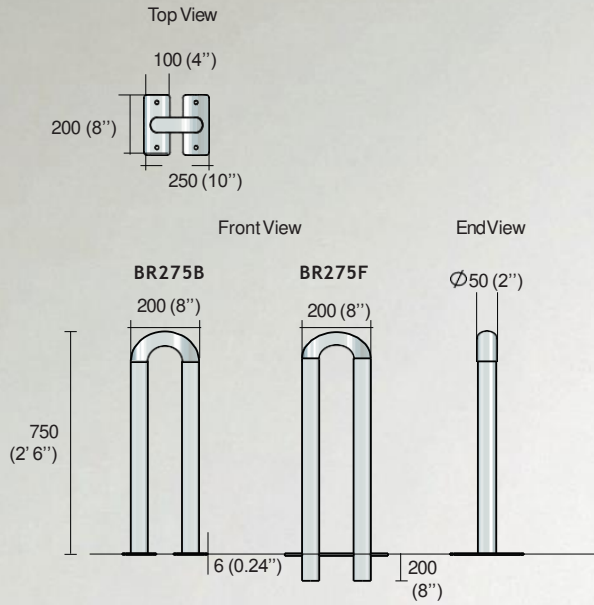
BR275



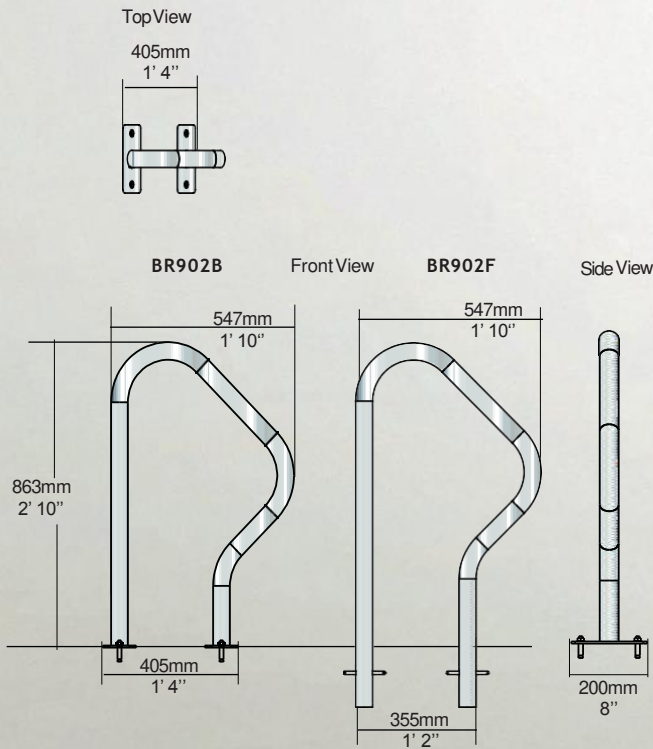
PARKLANDS

Parklands Rack s Range

BR275B / F



BR902B / F Poolside Rack



Material Specifications (General)

BR275 $\varnothing 50 \times 1.5 \text{mm}$ ($\varnothing 2'' \times 0.06''$) pipe / $200 \times 100 \times 6 \text{mm}$ ($8'' \times 4'' \times 0.24''$) baseplate
 BR902 40NB ($50 \times 1.5 \text{mm}$ ($2'' \times 0.06''$)) / $200 \times 100 \times 6 \text{mm}$ ($8'' \times 4'' \times 0.24''$) baseplate



Parklands Rack s Range

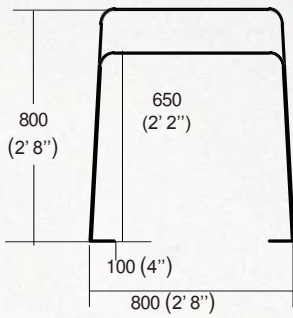
Product Range

BR905

TopView



Front View

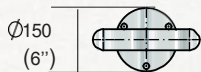


EndView

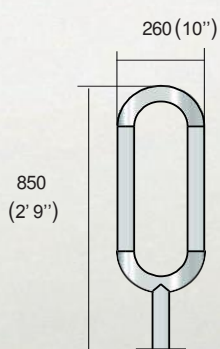


BR505

TopView



Front View



End View



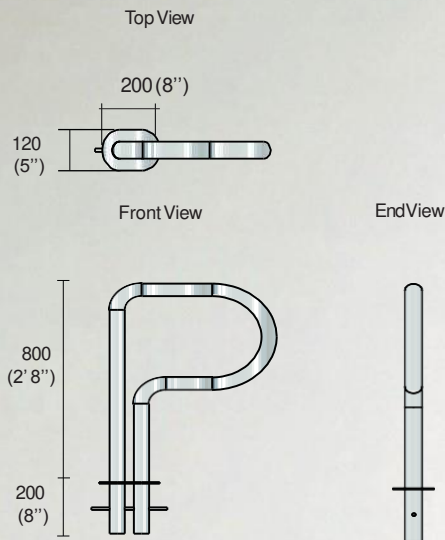
PARKLANDS

Material Specifications (General)

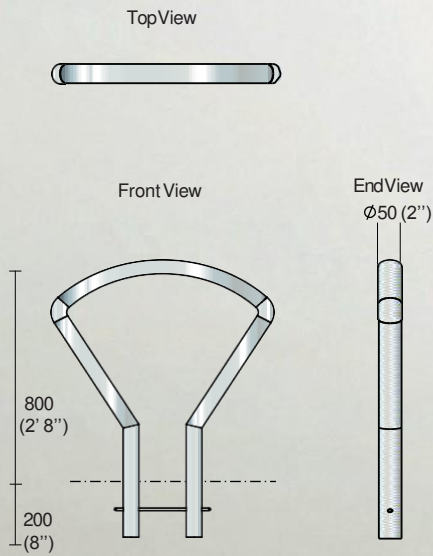
BR505 $\varnothing 50 \times 1.5 \text{mm}$ (\varnothing x 0.06") pipe / baseplate $150 \times 6 \text{mm}$ (6" x 0.24")
 BR905 100x5mm mild steel plate (4" x 0.2")



P Rack



BR705



Material Specifications (General)

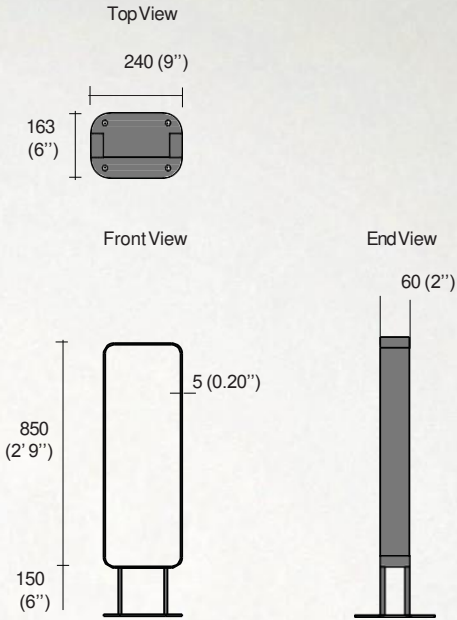
PRack \varnothing 50x1.5mm (\varnothing ' x 0.06") pipe / baseplate 200x120x6mm (8" x 5" x 0.24")
BR705 \varnothing 50x1.5mm (\varnothing ' x 0.06") pipe



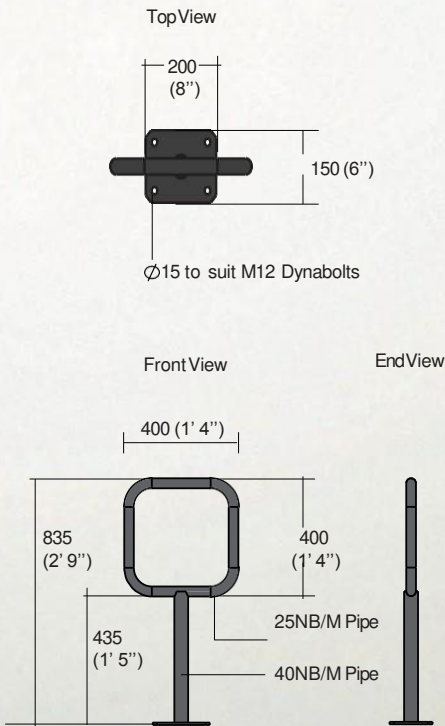
Parklands Rack s Range

Product Range

BR605 Inside Rack



DT053



Material Specifications (General)

BR605 60x5mm (2" x 0.20") Mild Steel plate / 240x163x6mm (9" x 6" x 0.24") baseplate / 150x60x3mm RHS (6" x 2" x 0.12")
DT053 25NB and 40NB pipe / 200x150x8mm (8" x 6" x 0.32") baseplate

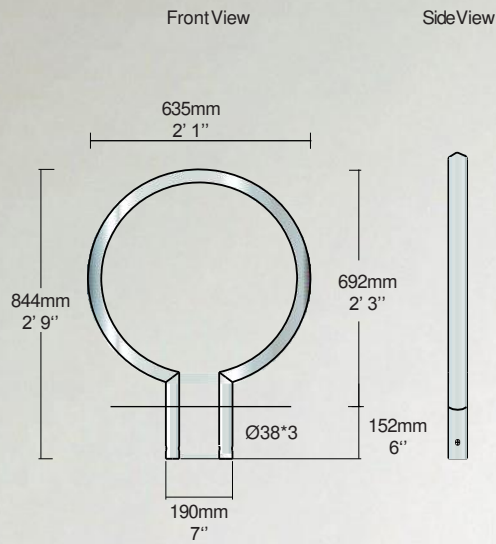


PARKLANDS

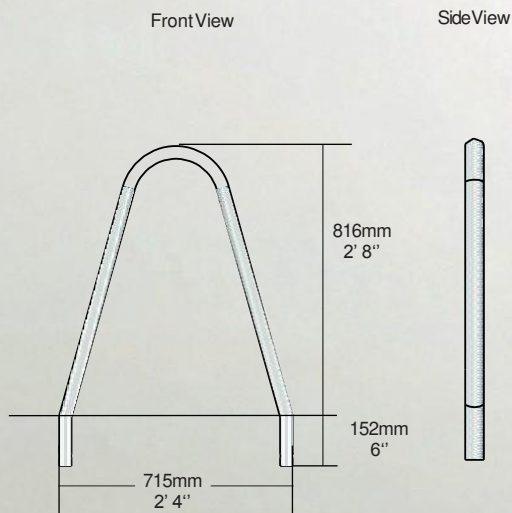
Parklands Rack s Range

BR14F

Lock Rack



BR131
Venture Rack



Material Specifications (General)

Mild steel 38 x 3mm {1.5" x 0.12"} Pipe / Hot dipped galvanized / Powder coated in range of colors
Stainless steel 38 x 1.5mm {1.5" x 0.06"} Stainless steel pipe / Linished



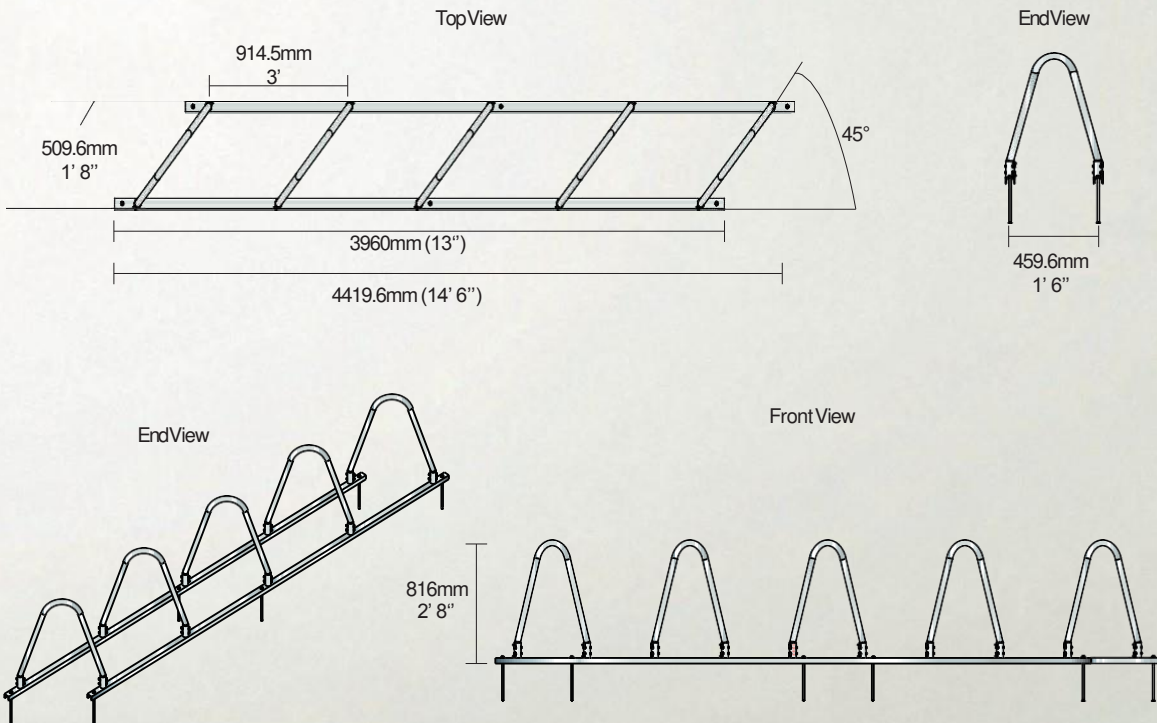
Parklands Racks Range

Product Range

BR135B
Venture Rack



Supplied in knock-down kit form for easy assembly on site. Fully welded units are also available, but will be more difficult to freight.



PARKLANDS

Material Specifications (General)
 Mild steel 38x3mm (1.5" x 0.12") Pipe/Galvanized/ Powder coated in a range of colors
 Channel steel 57x37x4.5mm (2.25" x 1.5" x 0.18") channel/ Galvanized/ Powder coated in a range of colors



www.duo-gard.com
734.207.9700
info@duo-gard.com